

CARACAL

HYDRAULIC 180° GATE CLOSER

The Caracal is a compact gate closer which allows soft and easy opening and guarantees a damped closing according to the desired speed settings. It is a perfect fit for swimming pools, playgrounds, parks, and garden gates.



MORE INFO



WHAT MAKES IT SPECIAL?

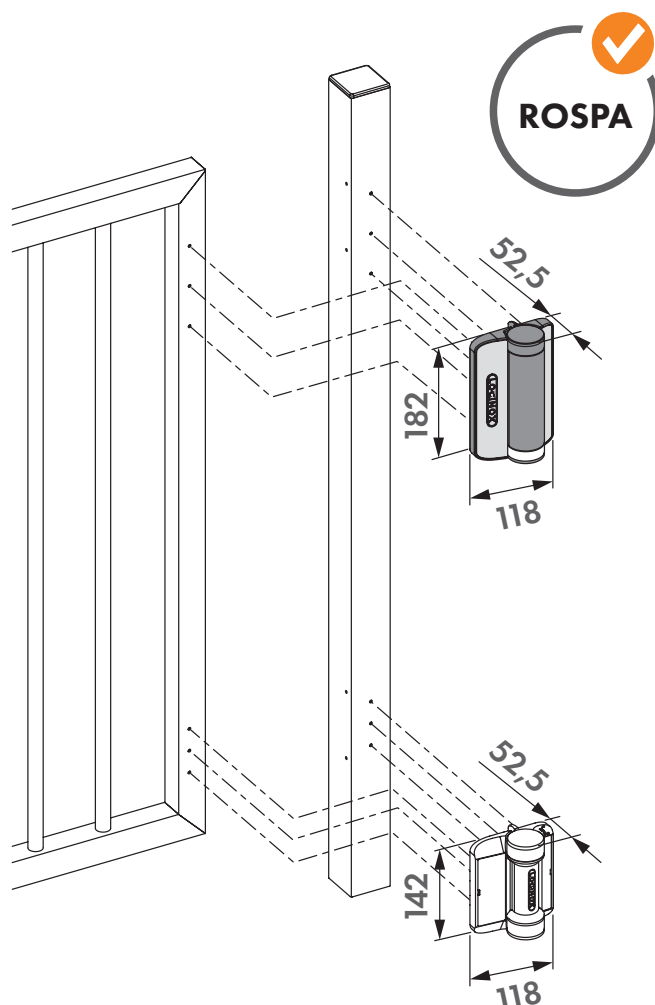
- Hydraulic damping
- Speed regulation
- Easy to open
- Flexible installation
- No welding required



Always use CARACAL in combination with SERVAL.
Do not mount 2 CARACALS as the damping-ability will hamper a guaranteed closing.

FEATURES

Gate type:	Left and right turning gates Metal, vinyl or wooden gates Max width: 1200 mm
Posts:	Round* and square
Housing:	Fiberglass reinforced polyamide
Damping:	Hydraulic
Opening angle:	180°
Closing force:	8 Nm
Closing speed:	Adjustable
Fixation:	Quick-fix or, self drilling screws
Adjustability:	Vertical: 20 mm Horizontal: 20 mm
Weather resistance:	-20°C +60°C
Color:	RAL 9005
Warranty:	3 years
Tested:	500K cycles



* Brackets available for round posts